

HiMARK Technology, Inc. reserves the right to change the product described in this datasheet. All information contained in this datasheet is subject to change without prior notice. HiMARK Technology, Inc. assumes no responsibility for the use of any circuits shown in this datasheet.

Description

The RX3310 is a fully integrated, amplitude-shift-keying (ASK) modulation, single chip receiver. It is designed to operate in a variety of low power radio applications. All popular radio frequencies from 250 MHz to 450 MHz may be supported by simply choosing the appropriate external components. Particular emphasis has been placed on low current consumption. Average current consumption is 2.6 mA in normal operation mode and 25 μ A in power down mode under VCC=3.0volts.

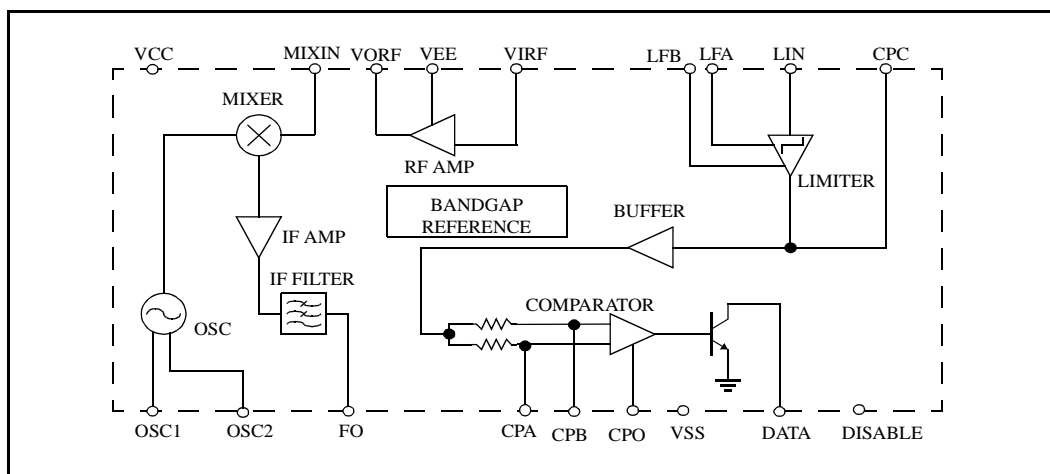
Features

- ◆ Wide frequency range: 250 MHz to 450 MHz
- ◆ High sensitivity
- ◆ Low power consumption
- ◆ Automotive temperature range
- ◆ High integration level requiring few and inexpensive external components

Applications

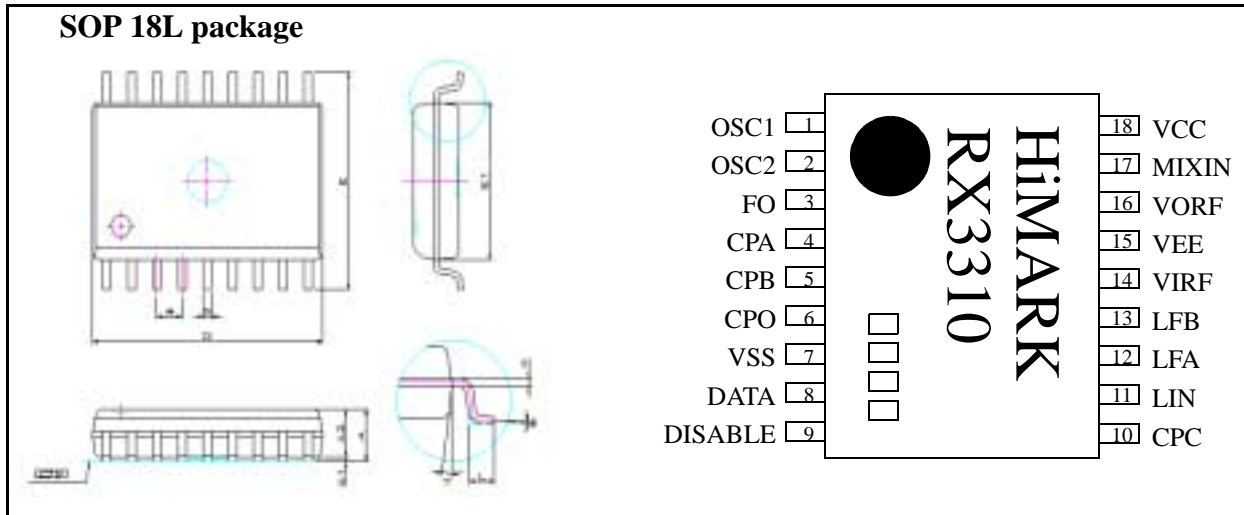
- ◆ Remote control systems
- ◆ Car alarm and other security systems
- ◆ Baby finder, wireless doorbell, wireless toys

Block Diagram

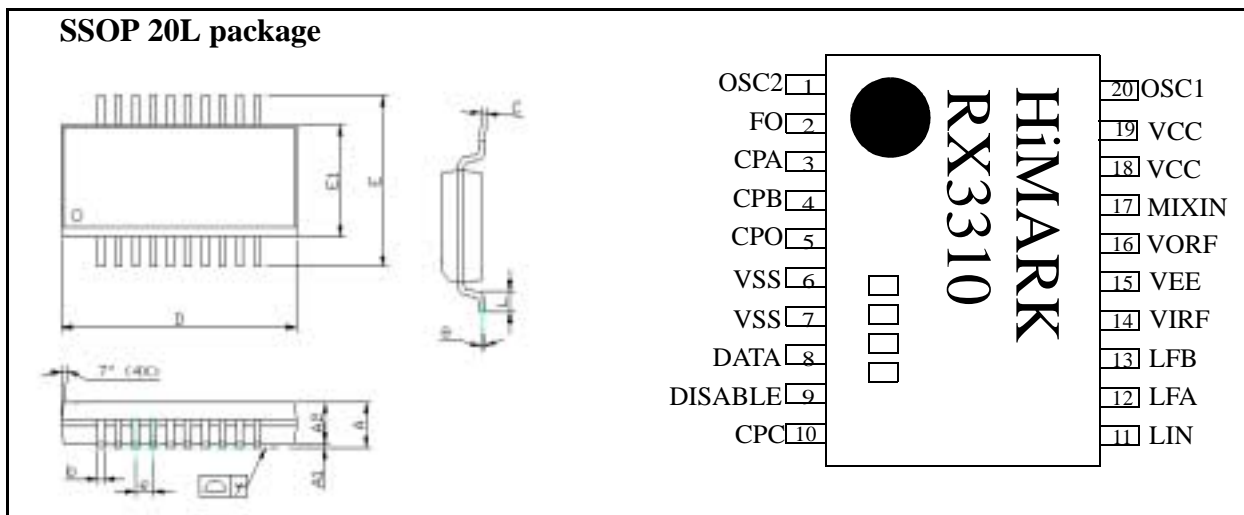


Package and Pin Assignment: SOP 18L or SSOP 20L

SOP 18L package



SSOP 20L package

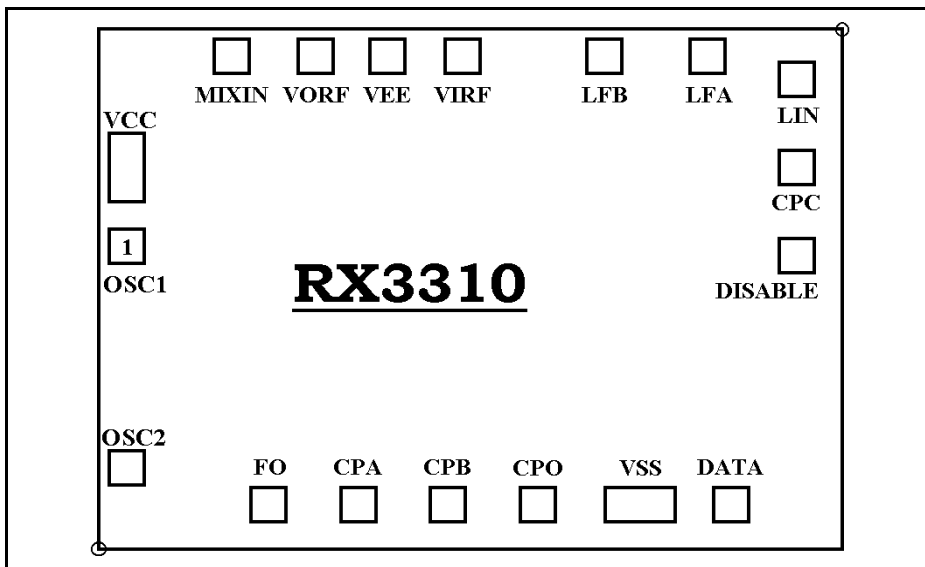


Package Dimensions

Sym bols	SOP 18L (dimensions in mm)			SOP 18L (dimensions in inch)			SSOP 20L (dimensions in mm)			SSOP 20L (dimensions in inch)		
	MIN.	NOM.	MAX.	MIN.	NOM.	MAX.	MIN.	NOM.	MAX.	MIN.	NOM.	MAX.
A	---	---	2.640	---	---	0.104	---	---	2.00	---	---	0.079
A1	0.100	---	---	0.004	---	---	0.05	---	---	0.002	---	---
A2	2.190	2.290	2.390	0.086	0.090	0.094	---	1.75	---	---	0.069	---
b	0.360	0.410	0.460	0.014	0.016	0.018	0.22	0.30	0.38	0.009	0.012	0.015
C	0.242	0.250	0.258	0.007	0.010	0.013	0.13	0.15	0.20	0.005	0.006	0.008

Sym bols	SOP 18L (dimensions in mm)			SOP 18L (dimensions in inch)			SSOP 20L (dimensions in mm)			SSOP 20L (dimensions in inch)		
	MIN.	NOM.	MAX.	MIN.	NOM.	MAX.	MIN.	NOM.	MAX.	MIN.	NOM.	MAX.
D	11.46	11.56	11.66	0.451	0.455	0.459	7.08	7.20	7.34	0.279	0.284	0.289
E	10.04	10.34	10.64	0.395	0.407	0.419	7.40	7.80	8.20	0.291	0.307	0.323
E1	7.390	7.490	7.590	0.291	0.295	0.299	5.00	5.30	5.60	0.197	0.209	0.220
e	1.220	1.270	1.320	0.048	0.050	0.052	---	0.65	---	---	0.0256	---
L	0.640	0.840	1.040	0.025	0.033	0.041	0.56	0.75	0.97	0.022	0.032	0.037
θ	0°	---	8°	0°	---	8°	0°	---	8°	0°	---	8°
y	---	---	0.050	---	---	0.002	---	---	0.10	---	---	0.004

RX3310 Chip Window



Pin Descriptions

Number (18L SOP)	Number (20L SSOP)	Name	I/O	Description
1	20	OSC1	IO	Oscillator tank connection
2	1	OSC2	IO	Oscillator tank connection
3	2	FO	O	IF filter output
4	3	CPA	I	Comparator input A
5	4	CPB	I	Comparator input B
6	5	CPO	I	Comparator offset adjustment
7	6,7	VSS	GND	Ground
8	8	DATA	O	Data output
9	9	DISABLE	I	Disable input. See <i>Electrical Characteristics (cont.)</i> on page 6
10	10	CPC	I	Comparator input C
11	11	LIN	I	Limiter input
12	12	LFA	IO	Limiter feedback A
13	13	LFB	IO	Limiter feedback B
14	14	VIRF	I	RF amplifier input (requires external ac decoupling capacitor)
15	15	VEE	GND	Ground for RF amplifier
16	16	VORF	O	RF amplifier output
17	17	MIXIN	I	Mixer input (requires external ac decoupling capacitor)
18	18,19	VCC	POWER	Positive supply voltage

Absolute Maximum Ratings

$V_{SS} = 0\text{ V}$

Parameter	Symbol	Rating	Unit
Supply voltage	V_{CC}	$V_{SS} - 0.3$ to $V_{SS} + 6.0$	V
Operating temperature range	T_{OPR}	-60 to 85	°C
Storage temperature range	T_{STG}	-60 to 125	°C
Soldering temperature range	T_{SLD}	255	°C
Soldering time range	t_{SLD}	10	s

Recommended Operating Conditions

$V_{SS} = 0\text{ V}$

Parameter	Symbol	Value			Unit
		min.	typ.	max.	
Supply voltage range	V_{CC}	2.7	3.0	6.0	V
Operating temperature	T_A	-40	25	85	°C

Receiver Characteristics

($V_{CC} = 2.0$ to 6.0 V, LO-RF=1.8MHz, All tests at $T_A = 25$ °C unless otherwise noted)

Parameter	Symbol	Condition	Value			Unit
			min.	typ.	max.	
Sensitivity	P_{sens}	$V_{CC} = 3.0$ V, $T_A = 27$ °C, $BER \leq \frac{3}{100}$, 9600 bps		-103	-95	dBm
Maximum input power	$P_{in,max}$			-25	-10	dBm
Receiver turn-on time	t_{ON}				10	ms

Electrical Characteristics

($V_{CC} = 3.0$ V, $V_{SS} = 0$ V, All tests at $T_A = 25$ °C unless otherwise noted)

Parameter	Symbol	Condition	Value			Unit
			min.	typ.	max.	
Supply current	I_{CC}			2.5	2.6	mA
Standby current	$I_{CC, sb}$	DISABLE = high		25	45	μA
Disable pin input logic high ^a	V_{DIH}		2.0	2.4		V
Disable pin input logic low ^a	V_{DIL}				0.8	V
Data output logic high	V_{OH}		$V_{pp}^b - 0.3$ V			V
Data output logic low	V_{OL}				0.3	V

- a. Note: If the Disable pad is connected to an off-chip signal (open), then the pad is internally grounded.
b. Note: V_{pp} is the pull-up voltage for open collector data output. It may be as high as 13 V.

Electrical Characteristics (cont.)

($V_{CC} = 5.0$ V, $V_{SS} = 0$ V, All tests at $T_A = 25$ °C unless otherwise noted)

Parameter	Symbol	Condition	Value			Unit
			min.	typ.	max.	
Supply current	I_{CC}			4.5	5.0	mA
Standby current	$I_{CC, sb}$	DISABLE = high		35	50	μA
Disable pin input logic high	V_{DIH}		2.0	2.4		V
Disable pin input logic low	V_{DIL}				0.8	V
Data output logic high	V_{OH}		$V_{pp}^b - 0.3$ V			V
Data output logic low	V_{OL}				0.3	V

- a. Note: If the Disable pad is not connected to an off-chip signal (open), then the pad is internally grounded.
b. Note: V_{pp} is the pull-up voltage for open collector data output. It may be as high as 13 V.

Functional Description

RF amplifier

The RF amplifier uses a common emitter configuration with a separate emitter connection (VEE). The input signal (VIRF) should be ac-coupled externally. The output of the amplifier is open collector so that the gain may be set with an external tuned load.

Mixer

The mixer is doubly-balanced configuration and has an ac-coupled input.

Oscillator

A balanced oscillator configuration is used with an L-C tank externally connected across the OSC1 and OSC2 pins. The frequency of the oscillator is determined by the external capacitor, C1, and inductor, L1 (please refer to application circuit schematic).

IF amplifier

The IF amplifier is a differential input, single-ended output emitter-coupled pair. It is used to provide additional gain in order to reduce the influence of the noise of the succeeding limiter amplifier on the total receiver noise figure.

IF filter

To minimize external component costs, an active IF filter is fully integrated.

Limiter

The limiting amplifier consists of several dc-coupled amplifier stages and outputs an RSSI signal.

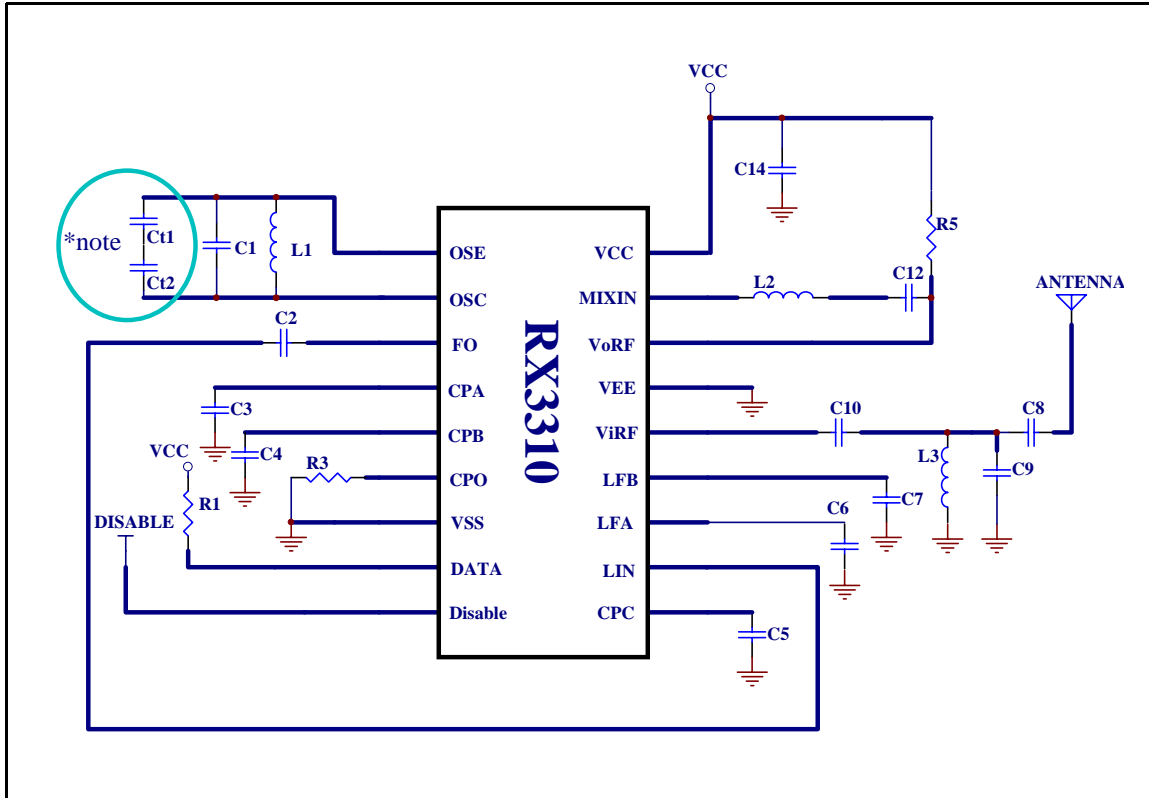
Comparator

Following the limiting amplifier, the RSSI signal is passed through an additional buffer stage and is then fed to the comparator's positive and negative terminals, which possess different R-C filter time constants. A larger off-chip capacitor is used at the negative comparator input and hence, its terminal voltage represents the average value of the RSSI signal. A smaller off-chip capacitor is used at the positive comparator input and this allows the positive input to follow the RSSI signal instantaneously. When the received RSSI signal exceeds its average value (when an ASK **on** signal is received), the comparator output is switched on.

Band gap reference

A band gap reference provides precise biasing of the entire chip over temperature.

Application Circuit

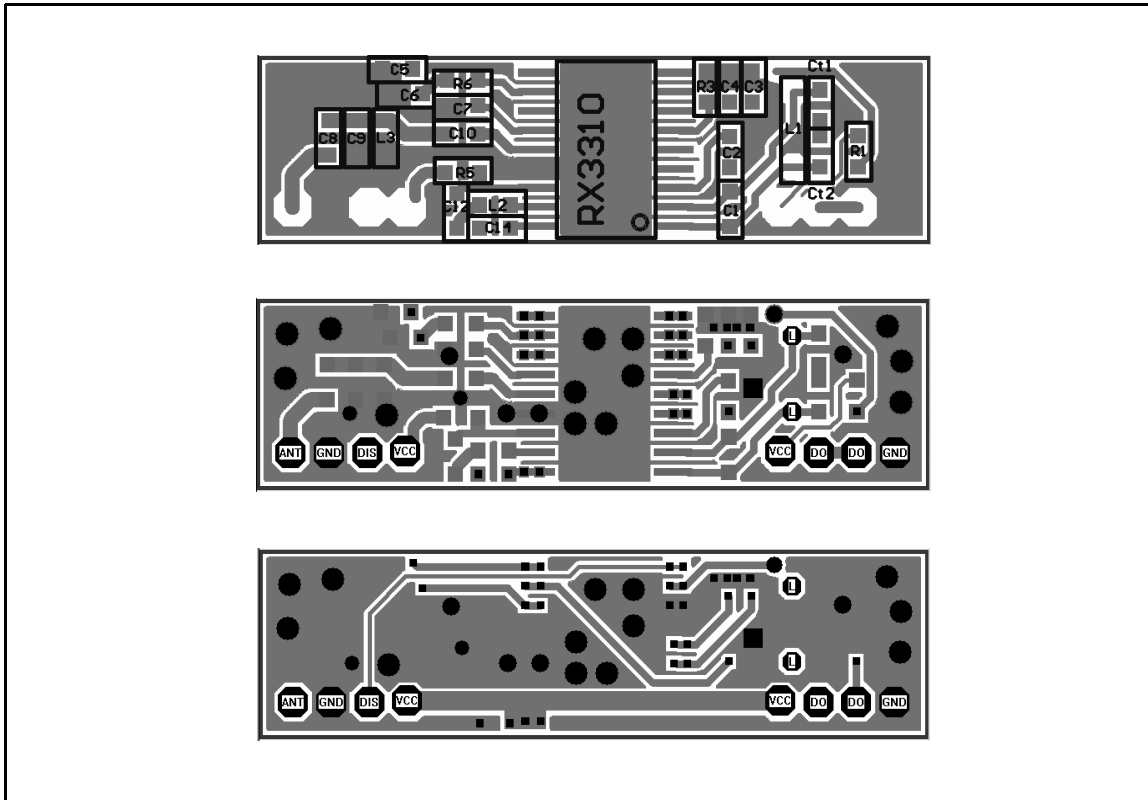


* note:Ct1,Ct2 are added for the temperature compensation. Not necessary.

External Components

Component	Frequency Band (MHz)				Unit	Tolerance	Description
	303	315	418	434			
C1	6.8	5.6	6.8	5.6	pF	+/-0.5pF	TC=NPO
C2	68	68	68	68	pF	+/-5%	TC=NPO
C3	470	470	470	470	pF	+/-10%	TC=X7R
C4	1	1	1	1	μF	+/-10%	TC=Y5V
C5	470	470	470	470	pF	+/-10%	TC=X7R
C6	10	10	10	10	nF	+/-10%	TC=X7R
C7	10	10	10	10	nF	+/-10%	TC=X7R
C8	1.5	1.5	1.2	1.5	pF	+/-0.25pF	TC=NPO
C9	1.2	1	1.2	1.5	pF	+/-0.25pF	TC=NPO
C10	22	22	22	22	pF	+/-5%	TC=NPO
C12	82	82	82	82	pF	+/-5%	TC=NPO
C14	1	1	1	1	μF	+/-10%	TC=Y5V
*Ct1	1	1	1	1	pF	+/-10%	TC=
*Ct2	10	10	10	10	pF	+/-10%	TC=
R1	100	100	100	100	KΩ	+/-5%	TC=+/-200 ppm
R3	47	47	47	47	KΩ	+/-5%	TC=+/-200 ppm
R5	1	1	1	1	KΩ	+/-5%	TC=+/-200 ppm
L1	2.5	2.5	1.5	1.5	T		
L2	100	100	100	82	nH		
L3	47	47	22	18	nH		

Evaluation Board Layout (Example)



From top to bottom: Component side of printed-circuit board, top side, bottom side.
 Copy this page by the factor of 50%, the real size printed-circuit board is available.(Real-size:11.8mm*43.5mm)
 Suggested board material: FR4, thickness: 0.8mm